

TRI-RIM[®]

Disc Wheel Rims

NEW PRODUCT LAUNCH

Besides the highly reliable and proven three parted rim system for trucks, buses and trailers, **TRI-RIM[®]** has now launched high-precision and tested Disc Wheel Rims for single and dual tires application.

TRI-RIM[®] Disc Wheel Rims:

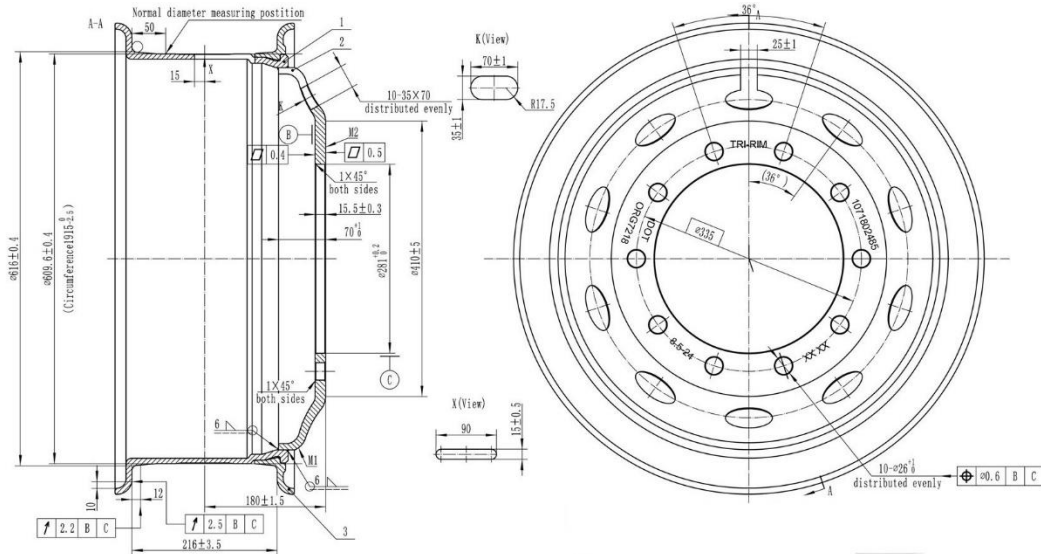
- highest degree of safety
- available in different sizes and payloads
- drum and disc wheel end application
- available for hub or bolt centered mounting
- lightweight options available
- longevity and durability



The **TRI-RIM[®]** Disc Wheel Rims are comprised of parts, each of the best quality in regards to tolerances and mechanical properties. The complete system is proven and certified by renowned test laboratories, where it is tested under very tough operating conditions to ensure the required ruggedness and highest degree of safety.



Select your **TRI-RIM®** Disc Wheel Rim:



TRI-RIM®	Wheel Rim Sizes	Type	Center	Wheel Load in KG	Offset	Ventli Holes	PCD	Centre Bore	Bolt Hole
106 078 2085	20.0 x 8.50	Tube	BC	4500KG	178	2-75*31*R12.5 & 8-φ31	335	281	10-Φ27-SR18
107 078 2085	20.0 x 8.50	Tube	HC	4500KG	178	2-75*31*R12.5 & 8-φ31	335	281	10-Φ26
106 000 2211	22.5 x 11.75	Tubeless	BC	4250KG	0	20-Φ36	335	281	10-Φ27-SR18
106 020 2211	22.5 x 11.75	Tubeless	BC	4250KG	120	20-Φ36	335	281	10-Φ27-SR18
107 000 2211	22.5 x 11.75	Tubeless	HC	4500KG	0	20-Φ46	335	281	10-Φ26
107 020 2211	22.5 x 11.75	Tubeless	HC	4250KG	120	20-Φ46	335	281	10-Φ26
106 075 2209	22.5 x 9.00	Tubeless	BC	3750KG	175	10-Φ70	335	281	10-Φ27-SR18
107 075 2209	22.5 x 9.00	Tubeless	HC	3750KG	175	10-Φ70	335	281	10-Φ26
107 175 2209	22.5 x 9.00	Tubeless	HC	3750KG	175	10-Φ70	335	281	10-Φ26
106 080 2485	24.0 x 8.50	Tube	BC	4750KG	180	5-90*32*R12.6	335	281	10-Φ27-SR18
107 080 2485	24.0 x 8.50	Tube	HC	4750KG	180	5-90*32*R12.6	335	281	10-Φ26
107 180 2485	24.0 x 8.50	Tube	HC	4750KG	180	10-70*35*R17	335	281	10-Φ26
107 280 2485	24.0 x 8.50	Tubeless	HC	5500KG	180	10-Φ80	335	281	10-Φ26